



Gasoline Powered Generator Owner's Manual

DXP9000

Dynamo Power Customer Service

customerservice@dynamopower.net or 1-888-914-2210
Monday – Friday 8am – 6pm EST

Dynamo Power Product Support

productsupport@dynamopower.net or 1-888-914-2210
Monday – Friday 8am – 6pm EST

This manual provides information regarding the operation and maintenance of these products.
We have made every effort to ensure the accuracy of the information in this manual.
We reserve the right to change this product at any time without prior notice.

FEATURES

- *Powerful Enough to Run Essential Appliances*
- *During Power Outages*
- *120 and 240 Volt AC Outputs*
- *12V DC Output for Automotive Battery Charging*
- *Low Oil Automatic Shutoff*
- *Circuit Breaker for Overload Protection*
- *Max Fuel Tank Capacity*
- *Handles and Wheels For Extra Mobility*
- *Meets EPA and CARB emissions standards*

TABLE OF CONTENTS


GENERAL SAFETY PROCEDURES.....	1
PACKAGE CONTENTS.....	4
GENERATOR COMPONENTS.....	5
PREPARING THE GENERATOR FOR USE.....	6
Using the Generator for the First Time.....	6
Step 1-Add Oil.....	6
Step 2- Add Gasoline.....	7
Step 3- Ground the Generator.....	7
Subsequent Use of the Generator.....	8
Step 1- Check the Oil.....	8
Step 2-- Check the Gas Level.....	8
Step 3- Ground the Generator.....	8
STARTING THE GENERATOR.....	9
USING THE GENERATOR.....	10
AC Usage.....	10
DC Usage.....	12
STOPPING THE GENERATOR.....	13
MAINTENANCE / CARE.....	13
Cleaning the Generator.....	13
Checking the Oil.....	14
Changing/Adding Oil.....	14
Air Cleaner Maintenance.....	15
Fuel Filter Cup Cleaning.....	16
Spark Plug Maintenance.....	16
Emptying the Gas Tank.....	17
STORAGE / TRANSPORT PROCEDURES.....	17
SPECIFICATIONS.....	17
TROUBLESHOOTING	18
WIRING DIAGRAM	20
EXPLODED VIEW AND PARTS LIST.....	21

Notice Regarding Emissions

Engines that are certified to comply with California and U.S. EPA emission regulations for SORE (Small Off Road Equipment), are certified to operate on regular unleaded gasoline, and may include the following emission control systems: (EM) Engine Modifications and (TWC) Three-Way Catalyst (if so equipped).

GENERAL SAFETY PROCEDURES


Please familiarize yourself with the following safety symbols and words:

The safety alert symbol  is used with one of the safety words (**DANGER**, **CAUTION**, or **WARNING**) to alert you to hazards. Please pay attention to these hazard notices both in this manual and on the generator.


DANGER: Indicates a hazard that will result in serious injury or death if instructions are not followed.


WARNING: Indicates a strong possibility of causing serious injury or death if instructions are not followed.

CAUTION: Indicates a possibility of personal injury or equipment damage if instructions are not followed.

 **DANGER:** This generator produces poisonous carbon monoxide gas when running. This gas is both odorless and colorless. Even if you do not see or smell gas, carbon monoxide may still be present. Breathing this poison can lead to headaches, dizziness, drowsiness, and eventually death.

- Use outdoors **ONLY** in non-confined areas.
- Keep several feet of clearance on all sides to allow proper ventilation of the generator.

 **WARNING:** The exhaust from this product contains chemicals known to the State of California to cause cancer, birth defects, or other reproductive harm.

 **WARNING:** This generator may emit highly flammable and explosive gasoline vapors, which can cause severe burns or even death. A nearby open flame can lead to explosion even if not directly in contact with gas.

- Do not operate near open flame.
- Do not smoke near generator.
- Always operate on a firm, level surface.
- Always turn generator off before refueling. Allow generator to cool for at least 2 minutes before removing fuel cap. Loosen cap slowly to relieve pressure in tank.
- Do not overfill gas tank. Gas may expand during operation. Do not fill to the top of the tank.
- Always check for spilled gas before operating.
- Empty gasoline tank before storing or transporting the generator.
- Before transporting, turn fuel valve to off and disconnect spark plug.

⚠ WARNING: This generator produces powerful voltage, which can result in electrocution.

- ALWAYS ground the generator before using it (see the "Grounding the Generator" portion of the "PREPARING THE GENERATOR FOR USE" section).
- Generator should only be plugged into electrical devices, either directly or with an extension cord. NEVER connect to a building electrical system without a qualified electrician. Such connections must comply with local electrical laws and codes. Failure to comply can create a backed, which may result in serious injury or death to utility workers.
- Use a ground fault circuit interrupter (GFCI) in highly conductive areas such as metal decking or steel work. GFCIS are available in-line with some extension cords.
- Do not use in rainy or wet conditions.
- Do not touch bare wires or receptacles (outlets).
- Do not allow children or non-qualified persons to operate.

⚠ WARNING: This generator produces heat when running. Temperatures near exhaust can exceed 150°F (65°C).

- Do not touch hot surfaces. Pay attention to warning labels on the generator denoting hot parts of the machine.
- Allow generator to cool several minutes after use before touching engine or areas which heat during use.

CAUTION: Misuse of this generator can damage it or shorten its life.

- Use generator only for its intended purposes.
- Operate only on dry, level surfaces.
- Allow generator to run for several minutes before connecting electrical devices.
- Shut off and disconnect any malfunctioning devices from generator.
- Do not exceed the Wattage capacity of the generator by plugging in more electrical devices than the unit can handle (see "PRECAUTIONS-OVERLOADING THE GENERATOR").
- Do not turn on electrical devices until after they are connected to the generator.
- Turn off all connected electrical devices before stopping the generator.

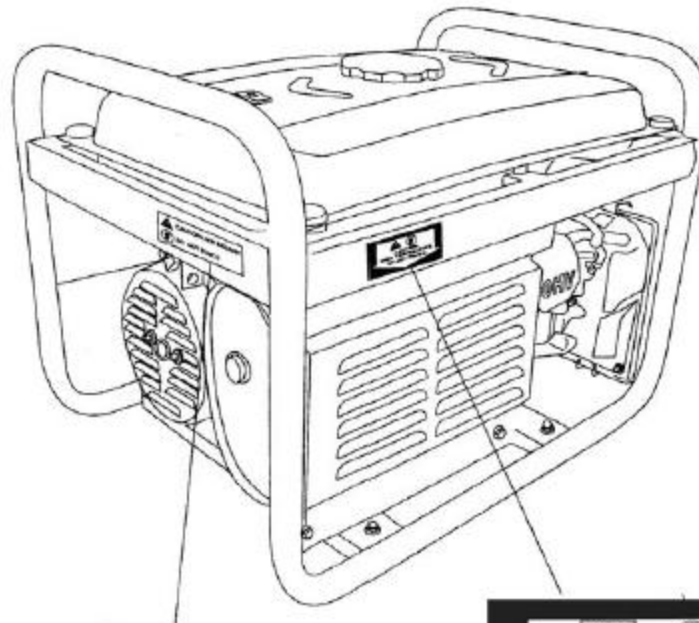
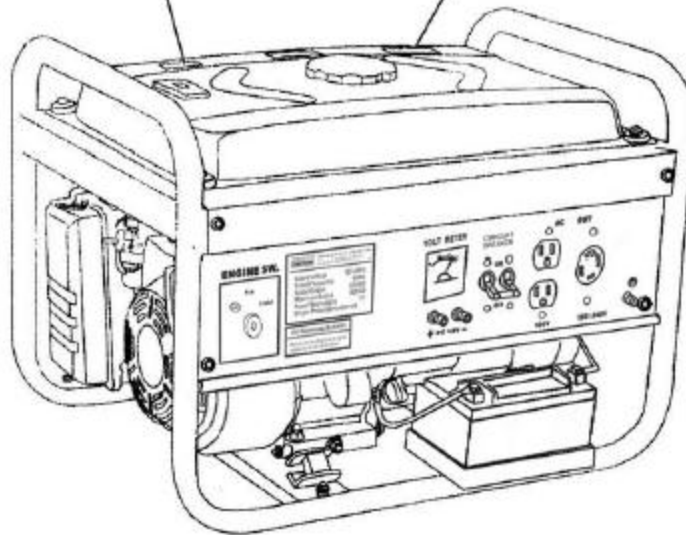
In addition to the above safety notices, please familiarize yourself with the safety and hazard markings on the generator.

CAUTION! POISONOUS GAS

Generator exhaust contains toxic carbon monoxide gas. NEVER operate indoors or in poorly ventilated areas.

WARNING! RISK OF EXPLOSION

- Stop generator before refueling.
- Check for spilled fuel.
- Do not operate near open flame.



CAUTION! HOT EXHAUST

DO NOT TOUCH



CAUTION! HIGH TEMPERATURE DO NOT TOUCH

PACKAGE CONTENTS

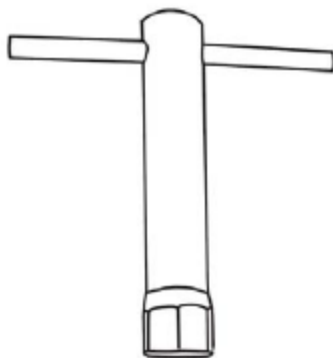
Your generator comes with the items listed below. Please check to see that all of the following items may be included with your generator, depending on your generator model.



Screw driver



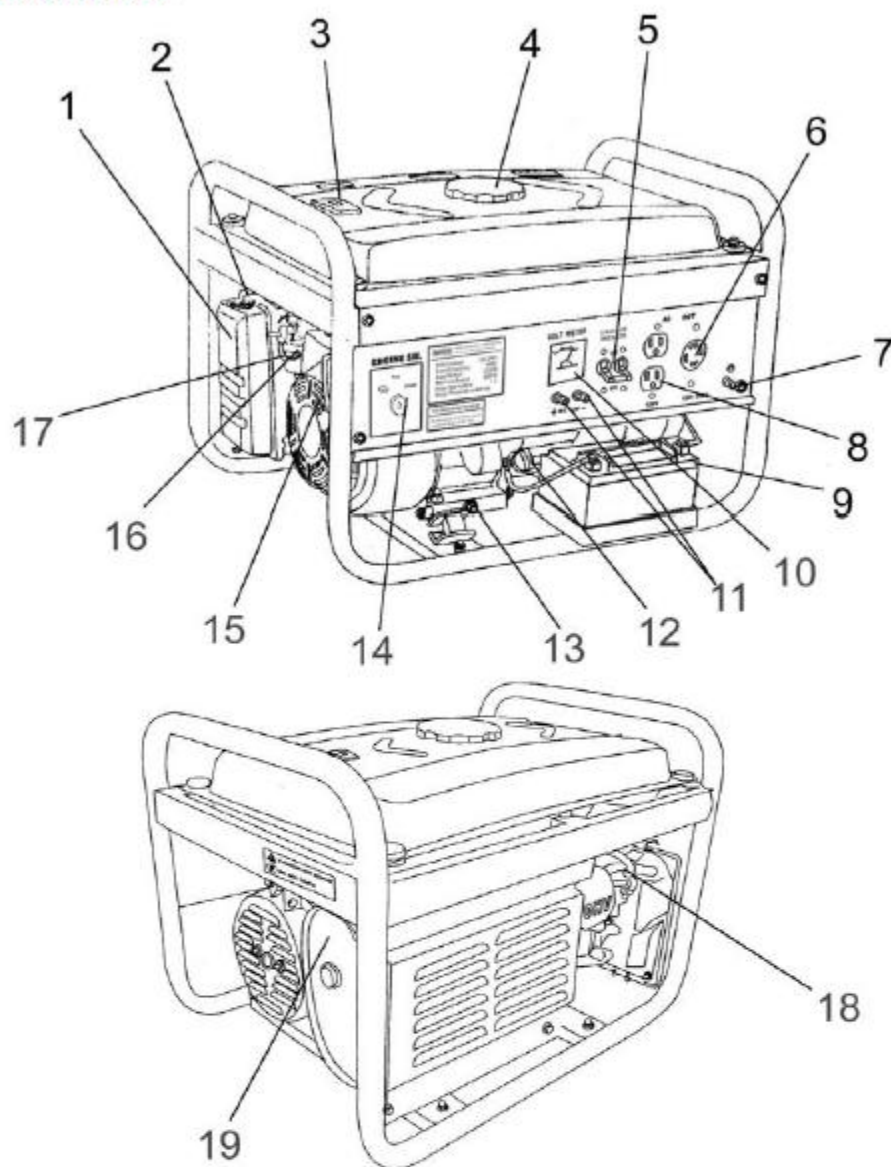
Spanner



Spark plug wrench

GENERATOR COMPONENTS

Please familiarize yourself with the locations and functions of the various components and controls of your generator.



(1) **Air cleaner**- a removable, cleanable, sponge-like element that limits the amount of dirt pulled into the engine.

(2) **Choke lever**- Adjusts the amount of air let into the engine.

(3) **Fuel Gauge**- Indicates the amount of fuel in the tank.

(4) **Fuel Cap**- Access to the fuel tank for adding fuel.

(5) **Circuit Breaker**- Reset switch that protects the generator from electrical overload.

(6) **120/ 240 Volt AC Receptacle**- Use to connect electrical devices that run 120 and/or 240 Volt, 60Hz, single phase, AC current (NEMA L14-30).

(7) **Ground Terminal**- Connect grounding wires here to properly ground unit.

(8) **120 Volt AC Receptacle**- Use to connect electrical devices that run 120 Volt, 60 Hz, single phase, AC current (2×duplex GFCI).

(9) **12V DC of batteries.**

- (10) **Volt Meter**- Provides reading of voltage output.
- (11) **I2V DC Receptacle**- Use for charging 12 Volt automotive-type batteries only.
- (12) **Oil Filler Cap**- Use to Add oil or checking the oil.
- (13) **Oil Fill and Dipstick**- Location for checking and filling engine oil.
- (14) **Engine Switch**- Used to start/stop engine.
- (15) **Recoil Starter**- Pull-cord for starting engine.
- (16) **Fuel Filter Cup**- Traps dirt and water from fuel before it enters the engine.
- (17) **Fuel valve**- Allows fuel to enter engine.
- (18) **Spark plug**- Provides proper engine ignition.
- (19) **Muffler**- Reduces engine noise.

PREPARING THE GENERATOR FOR USE

Using the Generator for the First Time

If you are using the generator for the first time, there are a few steps you must take to prepare it for operation.

Step 1- Add oil

The generator requires engine oil to operate properly. The generator, when new from the package, contains no oil in the crankcase. You must add the proper amount of oil before operating the generator for the first time. This amount, which is equal to the oil capacity of the engine crankcase, can be found on the chart in figure 1. When filling the engine with oil in the future, please refer to this chart.

Model number	PD8500E
Engine oil capacity	37 fluid oz.

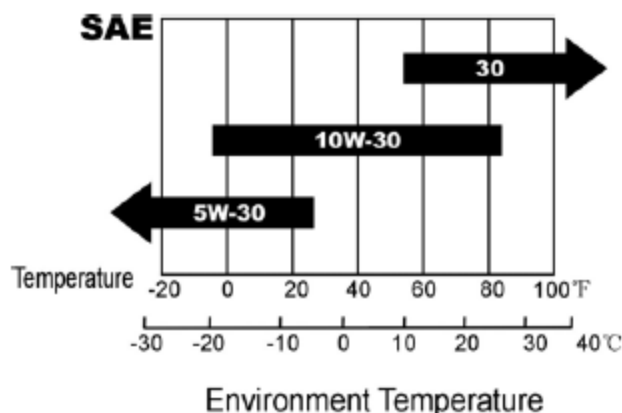
Figure 1- Generator Oil Capacity

CAUTION:

- Do not apply engine oil with additives or 2-stroke gasoline engine oil, as they haven't enough lubrication, which may shorten the engine's service life.

- **Engine oil recommended: SAE 10W-30.**

As viscosity varies with regions and temperatures, so the lubricant has to be selected in accordance with our recommendation.



To add oil, follow these steps:

1. Make sure the generator is on a level surface.
2. Unscrew the oil filler/dipstick cap from the engine as shown in figure 2.

3. Using a funnel, add the appropriate amount of oil, as found in figure 1, into the crankcase. You will know the crankcase is full when the oil level has reached the lower lip of the opening you have just poured the oil into (see figure 3).
4. Replace oil filler cap.

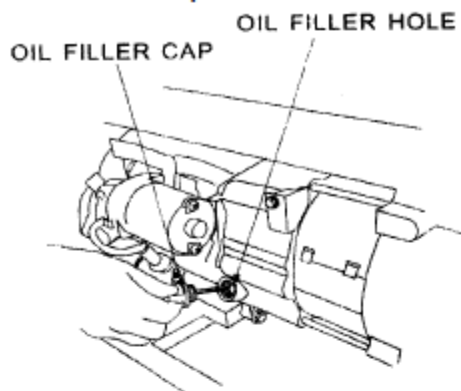


Figure 2- Unscrewing the oil cap



Figure 3 - Adding oil

Step 2- Add Gasoline

⚠ WARNING: Gasoline and gas fumes are highly flammable.

- Do not fill tank near an open flame.
- Do not overfill. Always check for fuel spills.

To ensure that the generator runs smoothly use only FRESH, UNLEADED GAS WITH AN OCTANE RATING OF 87 OR HIGHER. To add gasoline:

1. Make sure the generator is on a level surface.
2. Unscrew gas cap and set aside (NOTE: the gas cap may be tight and hard to unscrew).
3. Slowly add unleaded gasoline to the fuel tank. Be careful not to overfill. Please refer to the chart in figure 4 to find the gas capacity of your generator model. The fuel gauge on the top of the generator indicates how much gasoline is in the generator gas tank. NOTE: Gas can expand. Do not fill the gas tank to the very top.
4. Replace fuel cap and wipe up any spilled gasoline with a dry cloth.

IMPORTANT:

- Never use an oil/gasoline mixture.
 - Never use old gas.
 - Avoid getting dirt or water in the fuel tank.
 - Gas can age in the tank and make it hard to start up the generator in the future.
- Never store generator for extended periods of time with fuel in the tank.

Model number	
Gas tank capacity	25L(6.6 us. gallons)

Figure 4 - Gas Tank Capacity

Step 3- Ground the Generator

⚠ WARNING: Failure to properly ground the generator can result in electrocution.

Ground the generator by tightening the grounding nut against a grounding wire (see figure 5). A generally acceptable grounding wire is a No. 12 AWG (American Wire Gauge) stranded copper wire. This grounding wire should be connected at the other end to a copper or brass-grounding rod that is driven into the end.

Grounding codes can vary by location. Please contact a local electrician to check the grounding regulations for your area.

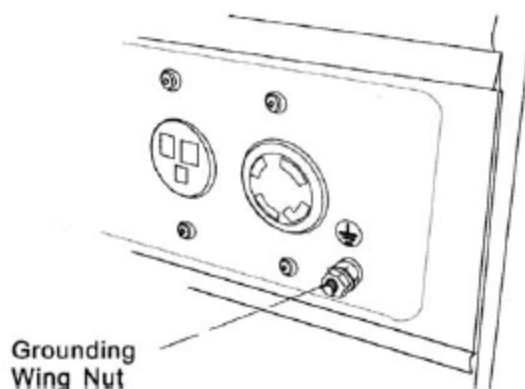


Figure 5 – Attaching the Grounding Wire to the Generator

Subsequent Use of the Generator

If this is not your first time using the generator there are still steps you should take to prepare it for operation.

IMPORTANT: At this point you should be familiar with the procedures described in the first portion of this section entitled "Using the Generator for the First Time." If you have not yet read this section, go back and read it now.

Step 1- Check the oil

The generator is equipped with an automatic shutoff to protect it from damage due to low oil. Nonetheless, you should check the oil level of the engine before each use to ensure that the engine crankcase has a sufficient amount. To check the oil level:

1. Make sure the generator is on a level surface.
2. Unscrew the oil filler/dipstick cap.
3. With a dry cloth, wipe the oil off of the stick on the inside of the cap.
4. Insert the dipstick as if you were replacing the cap and then remove again. There should now be oil on the stick. If there is no oil on the stick, or oil only at the very end of the stick, you should add oil until the engine crankcase is filled (see "Adding Oil" portion of the "Maintenance" section).
5. Be sure to replace cap when finished checking oil.

NOTE: The oil capacity for your generator can be found in the "Specifications" section of this manual.

Step 2 - Check the Gas Level

Before starting the generator, check to see that there is sufficient gasoline in the gas tank. The fuel gauge on top of the generator will indicate the gas level in the tank. Add gas if necessary according to the steps in the "Adding Gasoline" portion of the "Maintenance" section.

⚠ WARNING: Gasoline and gasoline fumes are highly flammable.

- Do not fill tank near an open flame.
- Always allow engine to cool for several minutes before refueling.
- Do not overfill (check the "Specifications" section for the tank capacity of your generator). Always check for fuel spills.

IMPORTANT:

- Use only UNLEADED gasoline with an octane rating of 87 or higher.
- Do not use old gas.
- Never use an oil/gasoline mixture.
- Avoid getting dirt or water in the fuel tank.
- Never store generator for extended periods of time with fuel in the tank.

Step 3- Ground the Generator

⚠ WARNING: Failure to properly ground the generator can result in electrocution.

Ground the generator by tightening the grounding nut against a grounding wire (see J figure 5). A generally acceptable grounding wire is a No. 12 AWG (American Wire Gauge) stranded copper wire. This grounding wire should be connected at the other end to a copper or brass-grounding rod that is driven into the earth.

Grounding codes can vary by location. Please contact a local electrician to check the grounding regulations for your area.

STARTING THE GENERATOR

⚠ CAUTION: Disconnect all electrical loads from the generator before attempting to start.

To start your generator, perform the following steps:

1. Make sure no electrical devices are connected to the generator. Such devices can make it difficult for the engine to start.
2. Check that the generator is properly grounded (see page 13, "Ground the Generator").
3. Turn the fuel valve to the "on" position (see figure 6).
4. Move the choke lever to the "closed" position (see figure 7).
5. Set the engine switch to the "on" position.
6. Pull on the recoil starter handle slowly until a slight resistance is felt (see figure 8). Then pull quickly to start the engine. Return cord gently into the machine. Never allow the cord to snap back.
7. If engine fails to start, repeat step 4. NOTE: After repeated attempts to start the engine, please consult the troubleshooting guide before attempting again.
8. Once the engine has started and run for about a minute, move the choke lever about half way towards the "open" position. Wait another 30 seconds and then move the choke lever all the way to the "open" position.
9. Allow the generator to run for several minutes before attempting to connect any electrical devices.

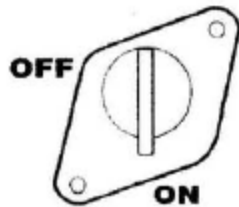


Figure 6- Fuel Valve in the “on” position

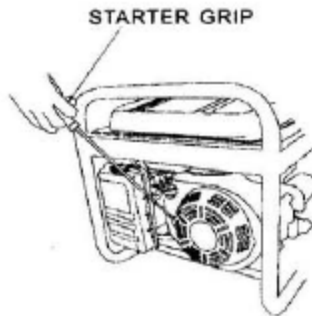


Figure 8- Pulling the start cord

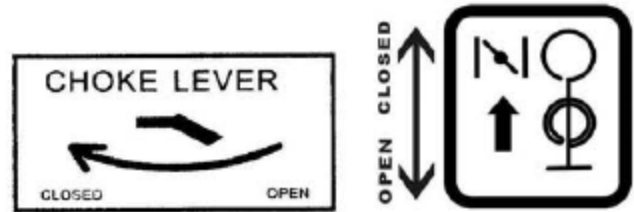


Figure 7- Choke in the “closed” position (refer to choke location)

USING THE GENERATOR

Once you have allowed the engine to run for several minutes, you may connect electrical devices to the generator.

AC Usage

You may connect electrical devices running on AC current according to their wattage requirements. The chart in figure 9 shows the rated and surge wattage of your generator according to its model number.

The *rated wattage* corresponds to the maximum wattage the generator can output on a continuous basis.

The *surge wattage* corresponds to the maximum amount of power the generator can output for a short period of time. Many electrical devices such as refrigerators require short bursts of extra power, in addition the rated wattage listed by the device, to stop and start their motors. The surge wattage ability of the generator covers this extra power requirement.

Rated (Running) Wattage	Surge Wattage
7000	8750

Figure 9-generator wattage by model number

The total running wattage requirement of the electrical devices connected to the generator should not exceed the rated wattage of the generator itself. To calculate the total wattage requirement of the electrical devices you wish to connect, find the rated (or running) wattage of each device. This number should be listed somewhere on the device or in its instruction manual. If you cannot find this wattage, you may calculate it by multiplying the Voltage requirement by the Amperage drawn:

$$\text{Watts} = \text{Volts} \times \text{Amperes}$$

If these specifications are not available you may estimate the Watts required by your device

by using the chart in figure 10.

Tool or Appliance	Rated (Running) Watts	Additional Surge Watts
Electric water heater (40 gal)	4000	0
Hot plate	2500	0
Saw-radial arm	2000	2000
Electric stove	1500	0
Saw-circular	1500	1500
Air compressor (1HP)	1500	3000
Window air conditioner	1200	1800
Saw-miter	1200	1200
Microwave	1000	0
Well water pump	1000	1000
Reciprocating saw	960	1040
Sump pump	800	1200
Refrigerator freezer	800	1200
Furnace blower	800	1300
Computer	800	0
Electric drill	600	900
Television	500	0
Deep freezer	500	500
Garage door opener	480	0
Stereo	400	0
Box fan	300	600
Clock radio	300	0
Security system	180	0
DVD player/VCD	100	0
Common light bulb	75	0

Figure 10- Estimated wattage requirements of common electrical devices.

Once you have found the rated wattage requirement of each electrical device, add these numbers to find the total rated wattage you wish to draw from the generator. If this number exceeds the rated wattage of the generator, DO NOT connect all these device, Select a combination of electrical devices, which has a total rated wattage lower than or equal to the rated wattage of the generator.

CAUTION-The generator can run at its surge wattage capacity for only a short time. Connect electrical devices requiring a rated (running) wattage equal to or less than the rated wattage of the generator. Never connect devices requiring a rated wattage equal to the surge wattage of the generator.

NOTE: The above wattage figures are estimates. Try to check the wattage listed on your electrical device before consulting this chart.

Once you have determined what electrical devices you will be powering with the generator,

connect these devices according to the following procedure:

1. Plug in each electrical device with the device turned off.

NOTE: Be sure to attach appliances to the correct receptacle (outlet). Connect standard 120 Volt, single phase, 60 Hz loads only to the 120 Volt receptacles.

Connect 120/240 Volt, single phase, 60Hz loads with NEMA L14-30 plug **only** to the 120/240 Volt receptacle See Figure 11 for a depiction of each of these receptacles.

2. Switch the circuit breaker to the "on" position.
3. Turn on the connected electrical devices in the order of the amount of power they require beginning with the device with the highest rated Wattage requirement.

CAUTION: Do not connect 50Hz or 3-phase loads to the generator.

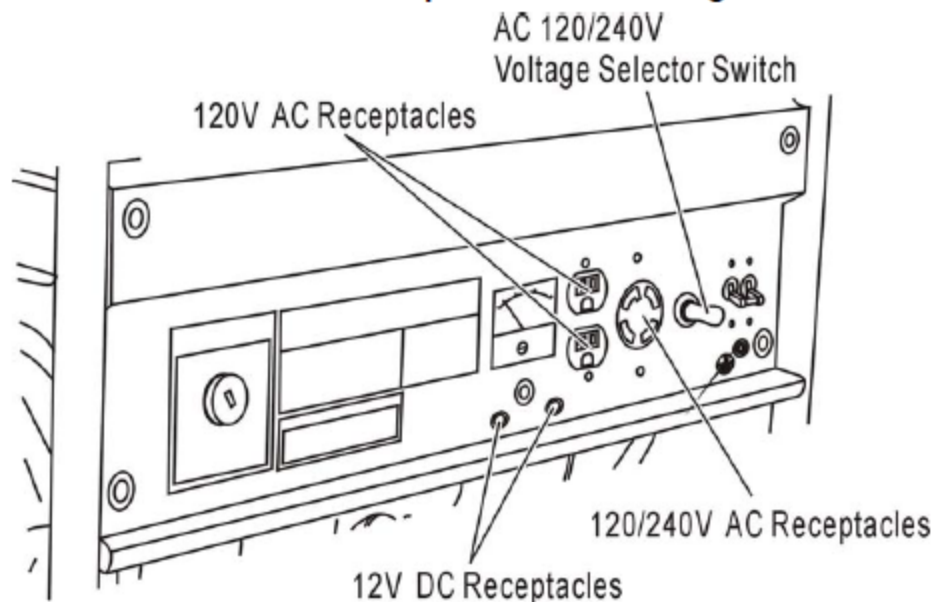


Figure 11- Receptacles available on the generator

VOLTAGE SELECTOR SWITCH

The voltage selector switches the main power carrying windings of the generator to produce "120V ONLY" or "120/240V". If a 240V appliance is connected to the 4-prong receptacle, the switch must be in the "120/240V" position. If only a 120V appliance is being connected to any of the 120V 3-prong receptacles, select the "120V ONLY" position.

120/240V: The 120V and 120/240V receptacles can be used simultaneously. 120V Receptacles only can output half of the rated power.

120V: **ONLY** the 120V receptacles can be used. Do not use the 120/240V receptacle in this position. Rated power will be available at the 120V twist lock receptacle.

WARNING:

Change the Voltage Selector Switch after turning the AC circuit breaker to OFF. The generator may be damaged.

SOME NOTES ABOUT POWER CORDS

Long or thin cords can drain the power provided to an electrical device by the generator. When using such cords, allow for a slightly higher rated wattage requirement by the electrical device. See Figure 12 for recommended cords based on the power requirement of the electrical device.

Device Requirements			Max. Cord Length (ft) by Wire Gauge				
Amps	Watts (120V)	Watts (240V)	#8 wire	#10 wire	#12 wire	#14 wire	#16 wire
2.5	300	600	NR	1000	600	375	250
5	600	1200	NR	500	300	200	125
7.5	900	1800	NR	350	200	125	100
10	1200	2400	NR	250	150	100	50
15	1800	3600	NR	150	100	65	NR
20	2400	4800	175	125	75	50	NR
25	3000	6000	150	100	60	NR	NR
30	3600	7200	125	65	NR	NR	NR
40	4800	9600	90	NR	NR	NR	NR

*NR= not recommended

Figure 12-Maximum Extension Cord Lengths by Power Requirement

DC Usage

CAUTION: The DC receptacle is for recharging 12 Volt automotive-type batteries only. Do not connect any other device to this receptacle.

CAUTION: Use the generator only to recharge 12 Volt batteries. Never try to jumpstart a car with your generator.

To connect 12 Volt batteries to the DC receptacle:

1. Connect one charging wire to the positive terminal on the battery and the other charging wire to the negative terminal.
2. Connect the free end of the positive wire to the positive receptacle (outlet) on the generator.
3. Start the generator.
4. Carefully connect the free end of the negative wire to the negative receptacle on the generator.
5. When disconnecting, always disconnect the wires from the generator first to avoid a spark.

⚠ DANGER: Storage batteries emit highly explosive hydrogen gas when charged. Batteries also contain acid, which can cause severe chemical burns.

- Do not allow open flames or cigarettes nearby for several minutes after charging a battery.

- Always wear protective goggles and rubber gloves when charging a battery.

- ☆ If battery acid gets on your skin, flush with water.

- ☆ If battery acid gets in your eyes, flush with water and call a physician immediately.

- ☆ If battery acid is swallowed, drink large quantities of milk and call a physician immediately.

If the generator you buy is electric start one, once beginning to work, it will charge the battery on the generator automatically. At this time, you can see the indicator light is shining, after the battery is full, the light will be extinct.

STOPPING THE GENERATOR

To stop the generator:

1. Turn off, then unplug all connected electrical devices.
2. Switch the circuit breaker to the "off" position.
3. Allow the generator to run for several more minutes with no electrical devices connected. This helps stabilize the temperature of the generator.
4. Set the engine switch to the "off" position.
5. Turn the fuel valve to the "off" position.

⚠ WARNING: Allow the generator to cool for several minutes before touching areas that become hot during use.

CAUTION: Allowing gas to sit in the generator tank for long periods of time without use can make it difficult to start the generator in the future. Never store generator for extended periods of time with fuel in the tank.

MAINTENANCE /CARE

Proper routine maintenance of your generator will help prolong the life of your machine. Please perform maintenance checks and operations according the schedule in figure 13.

CAUTION: Never perform maintenance operations while the generator is running.

Recommended Maintenance schedule

		Each use	Every month or 12 hrs	Every 3 months or 50 hrs	Every 6 months or 100 hrs	Every year or 300 hrs
Engine oil	Check level	×				
	Replace		×			
Air cleaner	Check	×				
	Clean			×		
Fuel filter cup	Clean				×	
Spark plug	Check/clean				×	
Gas tank	Check gas level	×				
	Clean		7			×

Figure 13- Recommended maintenance schedule

Cleaning the Generator

Always try to use your generator in a cool dry place. However, in the event your generator becomes dirty you may clean the exterior with one or more of the following:

- A damp clothe
- A soft brush
- A vacuum
- Pressurized air

Never clean your generator with a bucket of water or a hose. Water can get inside the working parts of the generator and cause a short circuit or corrosion.

Checking the Oil

The generator is equipped with an automatic shutoff to protect it from running on low oil. Nonetheless, you should check the oil level of the generator before each use to ensure that the generator crankcase has a sufficient amount. To check the oil level:

1. Make sure the generator is on a level surface.
2. Unscrew the oil filler/dipstick cap (see figure 14).
3. With a dry cloth, wipe the oil off of the stick on the inside of the cap.
4. Insert the dipstick as if you were replacing the cap and then remove again. There should now be oil on the stick. If there is no oil on the stick, or oil only at the very end of the stick, you should add oil until the engine crankcase is filled. See "Changing/ Adding Oil" in this section.
5. Be sure to replace cap when finished checking oil.

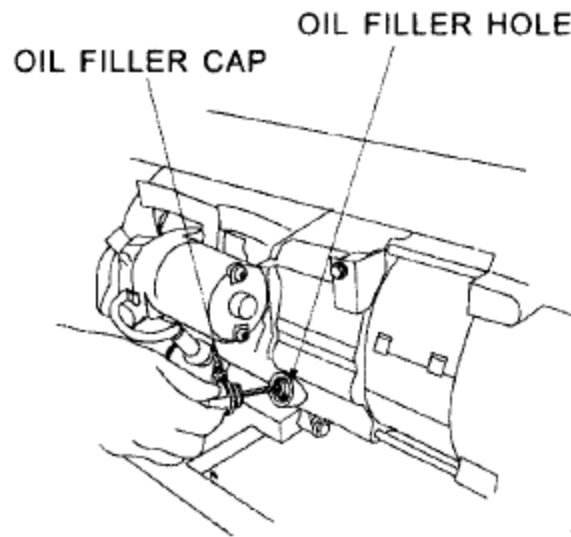


Figure 14- Checking the Oil

Changing/ Adding Oil

You should check the oil level of your generator according to the maintenance schedule in figure 13. When the oil level is low you will need to add oil until the level is sufficient to run the generator.

The oil capacity of your generator engine is listed in figure 15.

Engine oil capacity	37 fluid oz.
----------------------------	--------------

Figure 15- Engine Oil Capacity.

It is only necessary to drain the oil from the crankcase if it has become contaminated with

water or dirt. In this case, you can drain the oil from the generator according to the following steps:

1. Place a bucket underneath the generator to catch oil as it drains.
2. Using a 10 mm hex wrench, unscrew the oil drain plug, which is located on the crankcase underneath the oil filler/dipstick cap (see figure 16). Allow all the oil to drain from the generator.
3. Replace the oil drain plug and tighten with a 10 mm hex wrench.

To add oil to the crankcase, follow these steps:

1. Make sure the generator is on a level surface.
2. Unscrew the oil filler/dipstick cap from the engine as shown in figure 14 above.
3. Using a funnel, add high detergent motor oil to the crankcase. We recommend SAE 10W30 motor oil for general use. When full, the oil level should come close in the top of the oil fill opening (see figure 17).

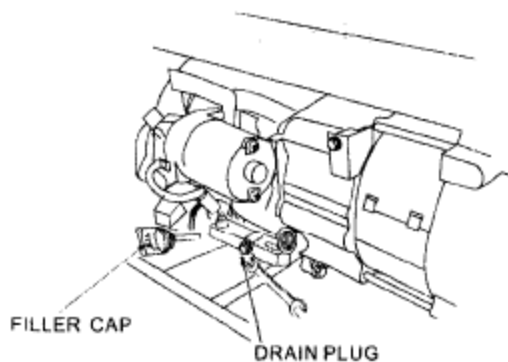


Figure 16- Draining oil



Figure 17- Adding oil

NOTE: Never dispose of used motor oil in the trash or down a drain. Please call your local recycling center or auto garage to arrange oil disposal.

Air Cleaner Maintenance

Routine maintenance of the air cleaner helps maintain proper airflow to the carburetor. Occasionally check that the air cleaner is free of excessive dirt.

1. Unhinge the clasps at the top and bottom of the air cleaner cover (see figure 18).
2. Remove the sponge-like elements from the casing.
3. Wipe the dirt from inside the empty air cleaner casing
4. Wash the sponge-like elements in household detergent and warm water. Allow to drying.
5. Soak the dry elements in engine oil. Squeeze out any excess oil.
6. Replace the sponge-like elements in the air cleaner casing and replace the cover.

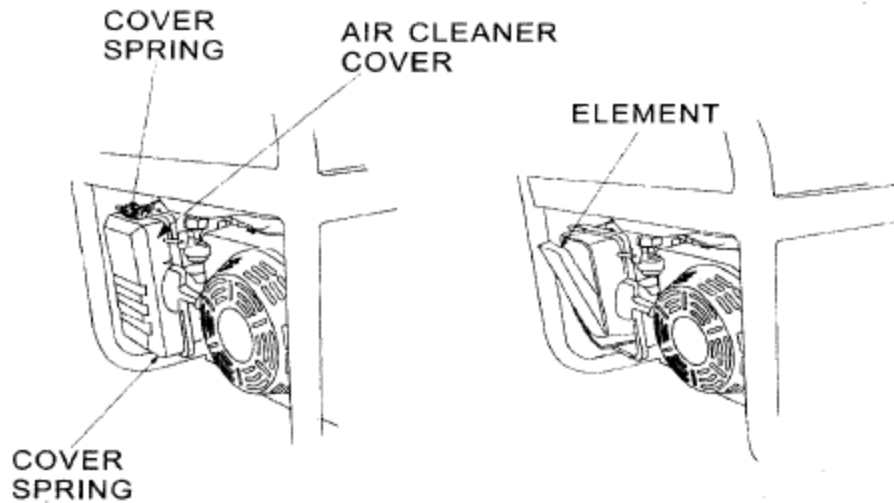


Figure 18- Removing the air cleaner casing.

Fuel Filter Cup Cleaning

The fuel filter cup is a small well underneath the fuel valve. It helps to trap dirt and water that may be in your fuel tank before it can enter the engine. To clean the fuel filter cup:

1. Turn the fuel valve to the "OFF" position.
2. Unscrew the fuel filter cup from the fuel valve using a wrench. Turn the valve toward you to unscrew (see figure 19).
3. Clean the cup of all sediment. Using a rag or brush.
4. Reinstall the fuel filter cup.

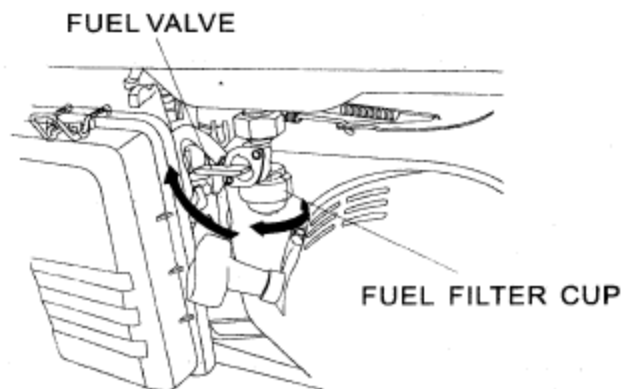


Figure 19 –Removing the Fuel Filter Cup

Spark Plug Maintenance

The spark plug is important for proper engine operation. A good spark plug should be intact, free of deposits, and properly gapped. To inspect your spark plug:

1. Pull on the spark plug cap to remove it.
2. Unscrew the spark plug from the generator using the spark plug wrench included with this product (see figure 20).
3. Visually inspect the spark plug. If it is cracked or chipped, discard and replace with a new spark plug. We recommend using a F6RTC spark plug such as NGKBPR5ES.
4. Measure the plug gap with a gauge (see figure 21). The gap should be 0.7-0.8 mm (0.028—0.031 in).
5. If you are re-using the spark plug, use a wire brush to clean any dirt from around the spark plug base and then re-gap the spark plug.

6. Screw the spark plug back into its place on the generator using the spark plug wrench. Replace the spark plug cap.

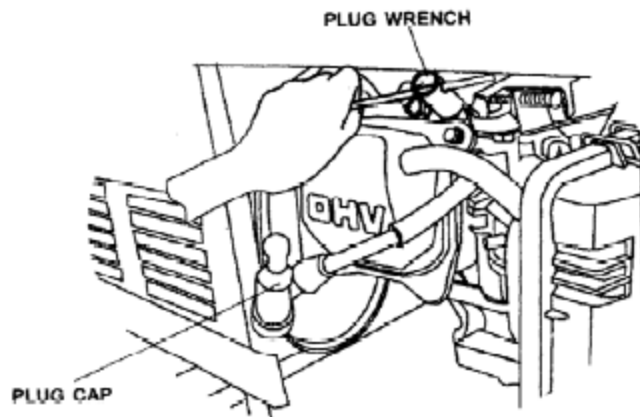


Figure 20- Removing the spark plug

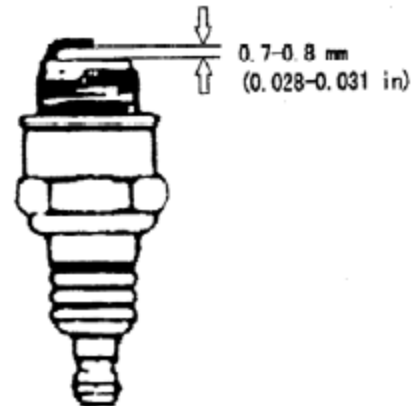


Figure 21- Measuring the spark plug gap

Emptying the Gas Tank

Before storing your generator for extended periods of time, you should drain your generator of gasoline. To drain the generator of gas:

1. Turn the fuel valve to the "off" position.
2. Remove the fuel filter cup (see "Removing the Fuel Filter Cup" earlier in this section).
3. Empty the fuel filter cup of any fuel.
4. With a receptacle underneath the generator to catch the gas, turn the fuel valve to the "on" position. Drain all the gas from the generator.
5. Turn the fuel valve to the "OFF" position.
6. Replace the fuel filter cup.
7. Store the emptied gasoline in a suitable place.

⚠ CAUTION: Do not store fuel from one season to another.

STORAGE/TRANSPORT PROCEDURES

⚠ CAUTION: Never place any type of storage cover on the generator while it is still hot.

When transporting or storing your generator for extended periods of time:

- Empty the gas tank (see "Emptying the Gas Tank" in the "Maintenance" section).
- Disconnect the spark plug.
- Do not obstruct any ventilation openings.
- Keep the generator in a cool dry area.

SPECIFICATIONS

Generator

AC Output

Rated Wattage	7000W
Surge Wattage	8750W
Rated Voltage	120/240V
Rated Frequency	60Hz
Phase	Single

DC Output

Voltage	12V
Amperage	8.3A
Dimensions (in):	Length=28 width=20 height=21.3

Engine

Engine type	4-stroke OHV single cylinder with forced air cooling system
Ignition system	Non-contact transistor
Displacement	419cc
Starting type	Electric start /Recoil
Fuel tank capacity:	25L(6.6US gal.)
Oil capacity	1.1L(37fl oz.)
Run time on 50% load	10hrs
Noise Level	75dB@7m (22 feet)

TROUBLESHOOTING

Problem	Cause	Solution
Engine will not start	Engine switch is set to "off".	Set engine switch to "on".
	Fuel valve is turned to "closed".	Turn fuel valve to "open" position.
	Choke is open.	Close the choke
	Engine is out of gas.	Add gas.
	Engine is filled with contaminated or old gas	Change the gas on the engine.
	Spark plug is dirty.	Clean spark plug.
	Spark plug is broken.	Replace spark plug.
	Generator is not on level surface.	Move generator to a level surface to prevent low oil shutdown from triggering.

	Oil is low	Add or replace oil.
Engine runs but there is no electrical output	Circuit breaker is off.	Set the circuit breaker to the "on" position.
	Bad connecting wires/cables.	If you are using an extension cord, try a different one.
	Bad electrical device connected to generator.	Try connecting a different device.
Generator runs but does not support all electrical devices connected.	Generator is overloaded	Try connecting fewer electrical loads to the generator.
	Short in one of the connected devices.	Try disconnecting any faulty or short-circuited electrical loads.
	Air cleaner is dirty.	Clean or replace air cleaner.

GENERATOR ASSEMBLY AND MOUNTING

Generator is supplied with a wheel kit. If you want to install the wheel kit on your unit, please follow the instructions below. If you will not be using the wheel kit, skip this section.

1. Place the bottom of the generator cradle on a flat, even surface. Temporarily place unit on blocks to ease assembly.
2. Secure the support leg to the cradle with cap screws (M8 x 16) and lock nuts (M8) (see figure 22).
3. Secure the axle to the cradle with cap screws (M8 x 16) and lock nuts (M8) (see figure 23).
4. Slide a wheel (with the inflation valve facing out) and a flat washer over the axle, then secure the wheel with a retaining pin (see figure 24、 Figure 25、 Figure 26).
5. Position the handles on the cradle and attach with plastic flat washer, cap screws(M8 X 16) and lock nuts(M8)(Figure 27、 Figure 28).
5. Check that all fasteners are tight and tires are inflated between 15-40 PSI.

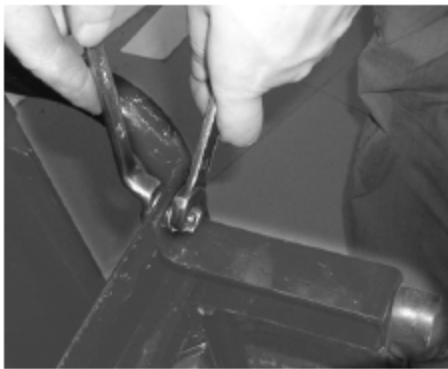


Figure 22



Figure 23

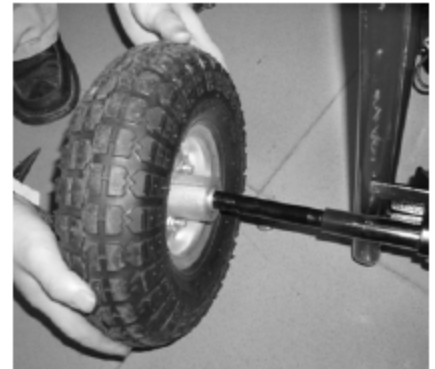


Figure 24



Figure 25



Figure 26

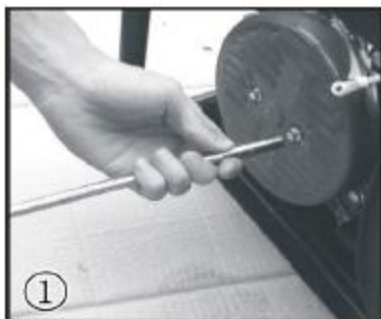


Figure 27

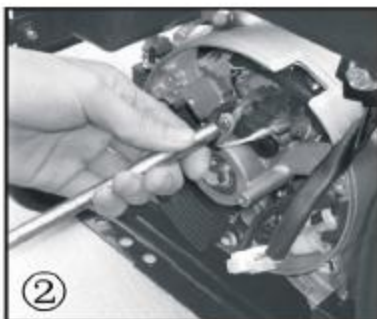


Figure 28

CHANGE THE CARBON-BRUSH



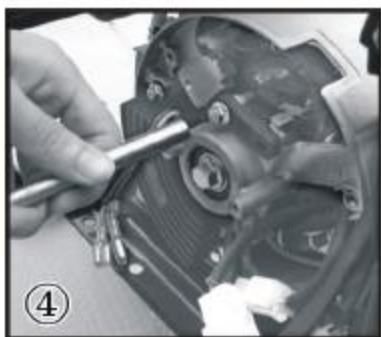
① Dismantle the 2 bolts (M5X12) of electric machine back-cover.



② Take down the installed bolts (M5X16) of carbon-brush.



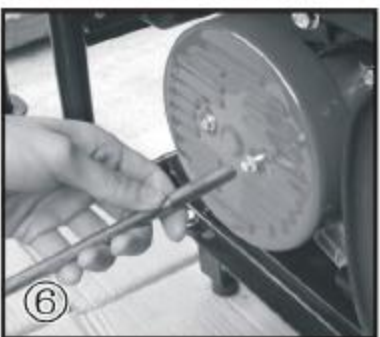
③ Take down the carbon-brush from DC wire of excitation.



④ Install the new carbon-brush with bolts (M5X16).

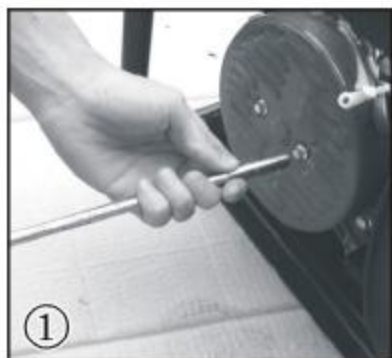


⑤ Insert and connect the DC wire of excitation according to anode-cathode.



⑥ Install the electric machine back-cover with 2 bolts (M5X12).

CHANGE THE AVR



① Dismantle the 2 bolts (M5X12) of electric machine back-cover.



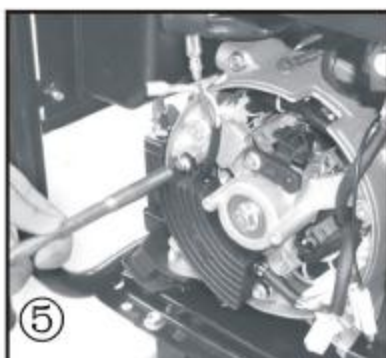
② Take down the 2 installed bolts (M5X16) of AVR.



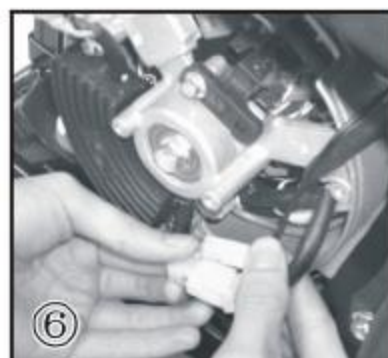
③ Disconnect the sample wire hindered.



④ Take down the AVR from carbon-brush



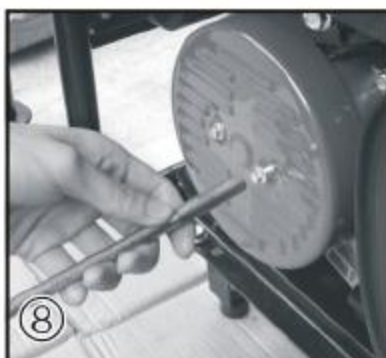
⑤ Install the new AVR with 2 bolts (M5X16)



⑥ Connect the sample wire hindered.

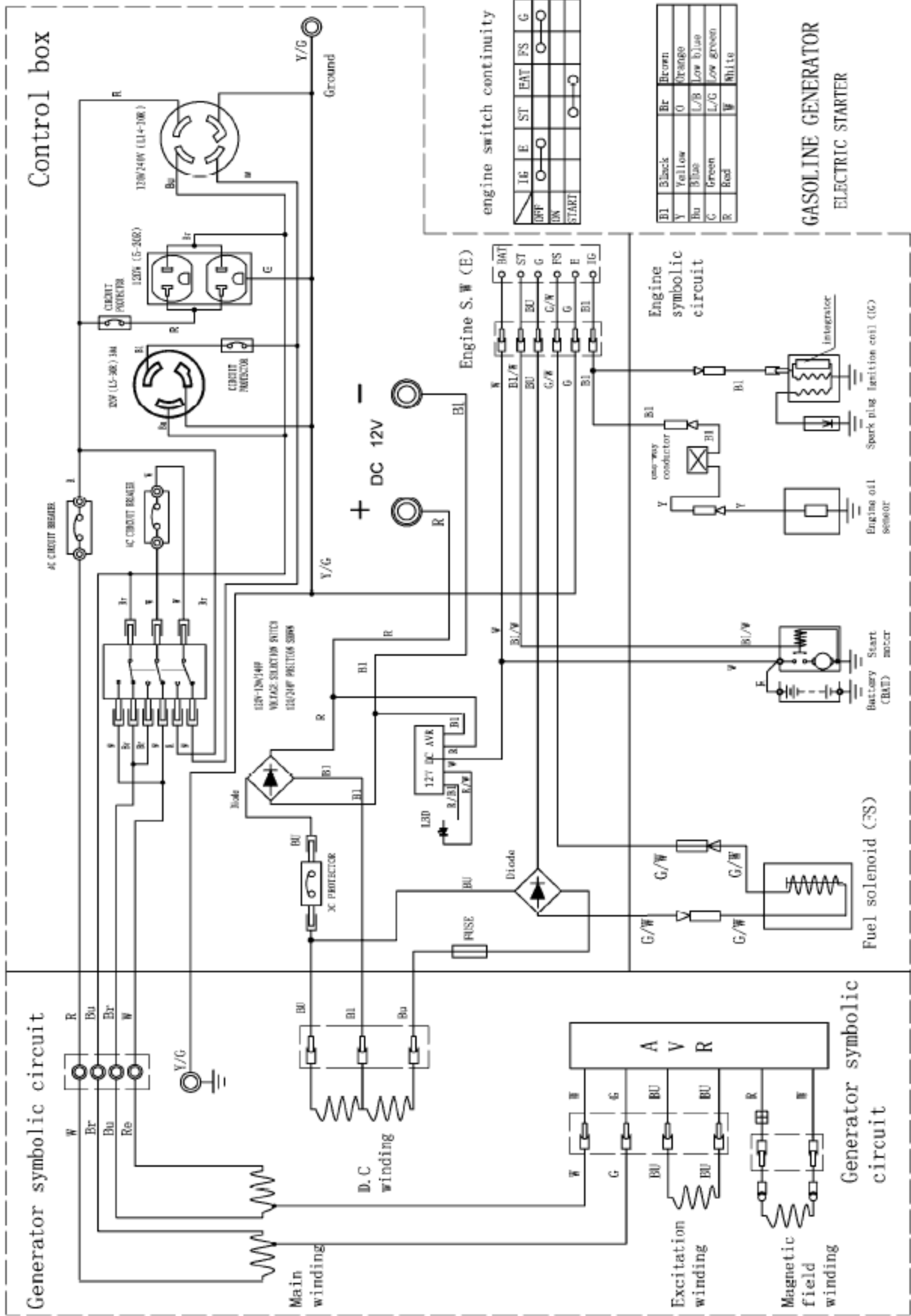


⑦ Insert and connect the DC wire of excitation according to anode-cathode.

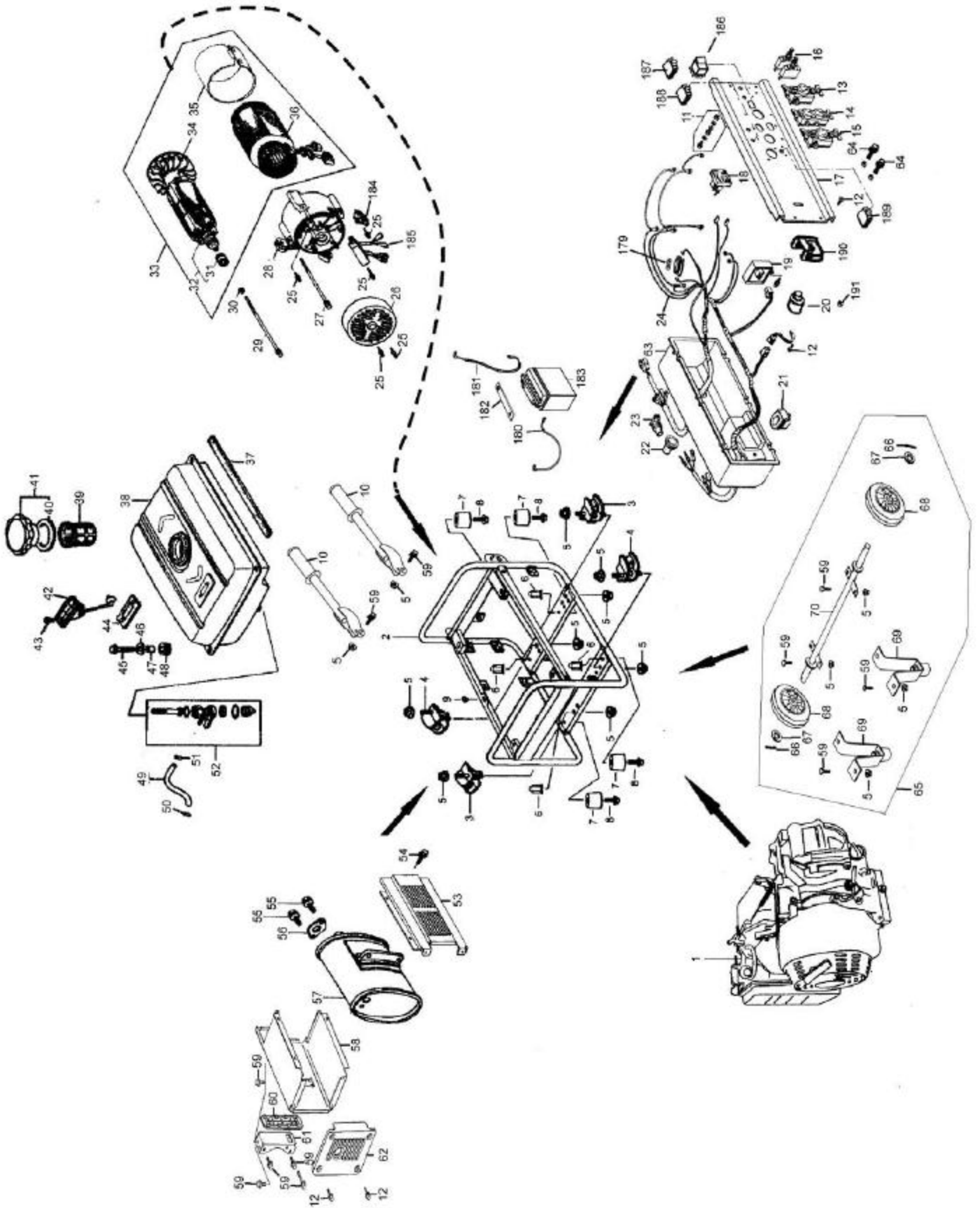


⑧ Install the electric machine back-cover with 2 bolts (M5 X12)

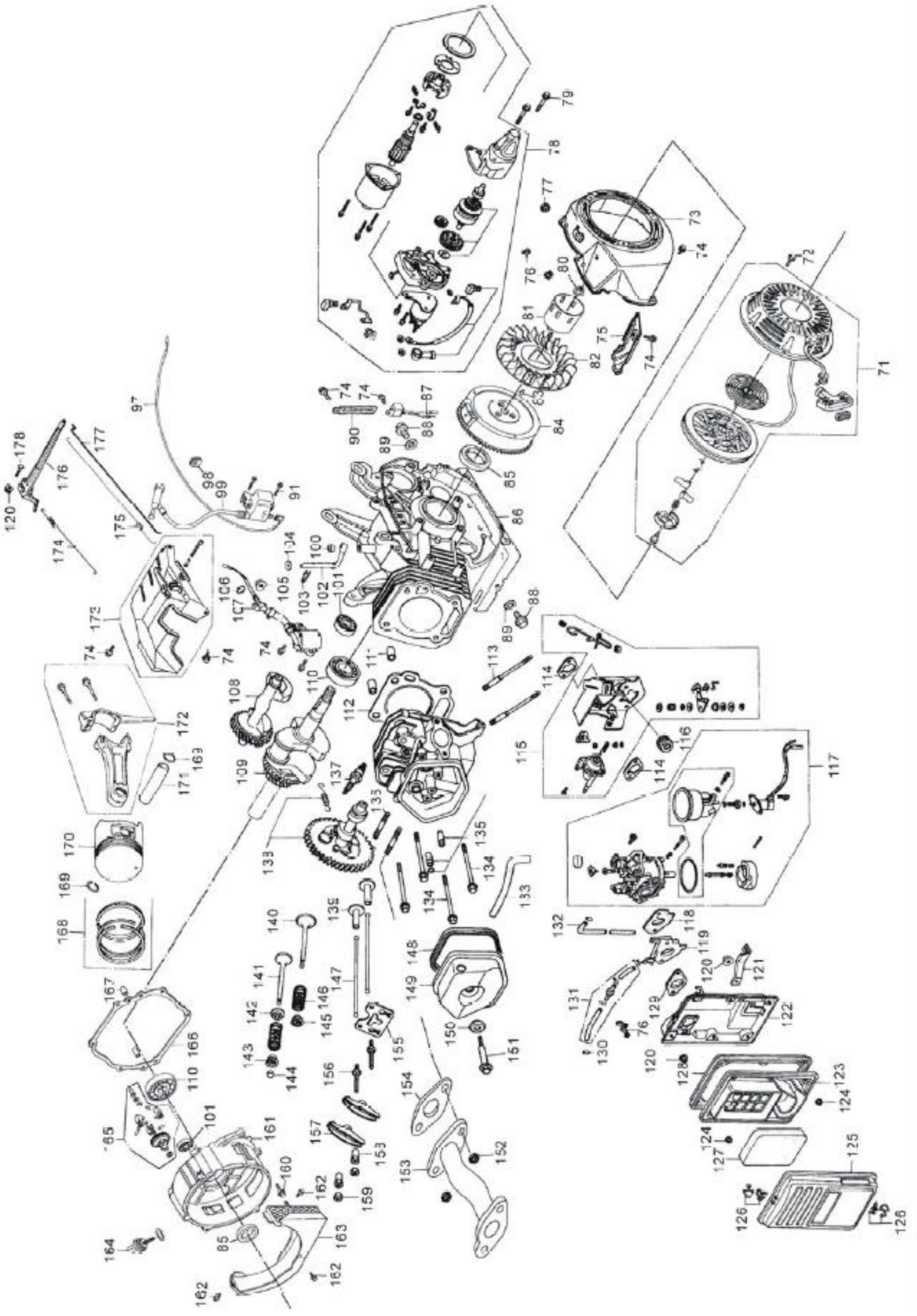
WIRING DIAGRAM



EXPLODED VIEW AND PARTS LIST



Item	Part	Qty	Description	Item	Part	Qty	Description
1		1	Gasoline engine	43	GB 819-95	2	Screw M5×10
2	15100	1	Frame comp	44	14410	1	Casket fuel tank
3	15002	2	Bottom rubber A	45	GB5787-86	4	Flange bolt M6×22
4	15003	2	Bottom rubber B	46	14022	4	Washer
5	GB6177-86	12	Flange nut M8	47	14005	4	Collar
6	GB802-88	4	Flange nut M6	48	14001	4	Cushion
7	41350	4	Cushion, frame	49	14004	1	Outlet pipe ϕ 4.5×165
8	GB5787-86	4	Bolt M6×12	50	14006	2	Tube clip
9	15001	2	Rubber pad, frame	51	14003	1	Rubber, fuel tube
10	15201	2	Hand push	52	14100	1	Fuel cock
11	11010	1	Earth terminal set	53	13001	1	Protector comp muffler
12	GB5787-86	8	Flange bolt M6×12	54	GB5787-86	4	Flange bolt M6×14
13	11070	1	Receptacle (30A)	55	GB5787-86	2	Flange bolt M8×32
14	11092	1	Receptacle (20A)	56	13010	1	Muffler stay
15	11072	1	Receptacle (30A)	57	13020	1	Muffler
16	11120	2	Circuit Breaker	58	13002	1	Protector muffler inner
17	11090	1	Control panel	59	GB5789-86	4	Flange bolt M8×16
18	11110	1	Voltmeter	60	13004	1	Seal protector muffler
19	11050	2	Diode assay	61	13005	1	Muffler, stay comp
20	11082	1	Engine switch	62	13003	1	Protector muffler side
21	11040	1	Boot, switch wire	63	11091	1	Control panel case
22	11030	1	Boot, main wire harness	64	11101	2	DC output post
23	11010	1	Boot, AC output wire	65	21000	1	Wheel Assy.
24	11060	1	Wire harness Assy.	66	21050	2	Pin.
25	GB5787-86	2	Flange bolt M5×12	67	GB97.1-85	2	Washer ϕ 20
26	16004	1	Generator end cover	68	21040	2	Wheel comp
27	GB5789-86	4	Flange bolt M6×175	69	21020	2	Bracket
28	16003	1	Support stand	70	21010	1	Well shaft
29	GB5789-86	1	Bolt M10×1.25×265	179	20053	1	Fuse
30	GB9701-85	1	Plain washer ϕ 10	180	22001	1	Positive wire of battery
31	GB276-89	1	Bearing 6207-2RS	181	22002	1	Negative wire of battery
32	16200	1	Rotor comp	182	22005	1	Battery cover
33	16000	1	Stator & Rotor Assy.	183	22010	1	Battery
34	16005	1	Generator fan	184	13030	1	Brush assy.
35	16101	1	Stator cover	185	13040	1	Voltage regulator
36	16100	1	Stator Assy.	186	11075	1	Voltage selection switch
37	14201	1	Stripe, fuel tank	187	11077	1	Circuit protector (20A)
38	14200	1	Fuel tank	188	11078	1	Circuit protector (30A)
39	14302	1	Fuel filter	189	11079	1	Circuit protector (10A)
40	14303	1	Packing ring	190	11076	1	DC 12V Voltage regulator
41	14300	1	Fuel filler cap comp	191	11081	1	Recharge Indicator
42	14400	1	Fuel sensor				



Item	Part	Qty	Description	Item	Part	Qty	Description
71	21100	1	Starter comp, recoil	117	23000	1	Carburetor assy.
72	GB5787-86	3	Flange bolt M6×8	118	23002	1	Packing, carburetor
73	12310	1	Fan, cover comp	119	23001	1	Insulator, carburetor
74	GB5787-86	13	Flange bolt M6×12	120	GB6177-86	4	Flange nut M6
75	19003	1	Shroud comp	121	12006	1	Stay, air cleaner
76	12302	3	Clip. Wire darkness	122	12005	1	Case comp, air cleaner
77	12302	1	Grommet drain hole	123	12004	1	Separator, air cleaner
78	21000	1	Start motor	124	GB6177-86	6	Flange nut M5
79	GB5789-86	2	Flange bolt M8×35	125	12007	1	Cover comp, air cleaner
80	GB6177-86	1	Flange nut M16	126	12008	2	Clip, air cleaner ware
81	19005	1	Pulley, starter	127	12003	1	Element, air cleaner
82	19001	1	Fan, cooling	128	12010	1	Seal, air cleaner
83	GB/T 99-88	1	Key	129	23003	1	Packing, insulator
84	81200	1	Flywheel comp	130	23011	4	Clip, tube
85	12215	2	Oil seal, 35×52×8	131	23006	1	Valve, dashpot check assy
86	12200	1	Crank case assy.	132	91009	1	Tube, fuel φ45×165
87	87500	1	Amplifier	133	12001	1	Tube, breather
88	12203	2	Bolt, drain lug	134	GB5789-86	4	Flange bolt M10×80
89	12217	2	Washer, drain lug	135	11250	1	Head comp, cylinder
90	87601	1	Clip, wire	136	11217	2	Bolt head, M8×34
91	GB5789-86	2	Flange bolt M6×25	137	11202	1	Plug, spark
97	81102	1	Cord stop switch	138	15100	1	Camshaft assy.
98	81103	1	Grommet cord	139	15002	2	Lifter, valve
99	81100	1	Coil assy. ignition	140	11208	1	Valve, IN.
100	12216		Oil seal, 8×14×5	141	11209	1	Valve, EX.
101	GB/T276-94	2	Radial ball bearing (6202)	142	11216	1	Seat, valve spring
102	12208	1	Shaft, governor arm	143	11212	1	Retainer, EX. Valve spring
103	12212	1	Pin, lock, 10mm	144	11213	1	Rotator, valve
104	12209	1	Washer, 8.2×17×0.8	145	11211	1	Retainer, IN. Valve spring
105	GB6177-86	1	Flange nut M10	146	11206	2	Spring, valve
106	12221	1	O-ring, 14mm	147	15001	2	Rod, push
107	12200	1	Switch assy. oil level	148	11241	1	Exhaust piper
108	13200	1	Weight, balancer	149	11240	1	Cover comp, head
109	13000	1	Crankshaft comp	150	11243	1	Washer comp head cover
110	GB/T276-94	2	Radial ball bearing (6207)	151	11242	1	Bolt, head cover
111	12220	2	Pin, dowel, 12×20	152	GB6175-86	2	Nut M8
112	11219	1	Casket, cylinder head	153	13200	1	Pipe comp EX.
113	11218	2	Bolt head, 8×106	154	13202	1	Casket (B) EX. Pipe
114	23008	2	Packing, air cleaner	155	11215	1	Plate, push rod guide
115	22000	1	Stay assy. Manual choke	156	11214	2	Bolt, pivot
116	12012	1	Grommet fender	157	11205	2	Arm, valve rocker

158	11204	2	Nut, Arm, valve rocker	169	13105	2	Clip, piston pin
159	11206	2	Nut, pivot adjusting	170	13101	1	Piston
160	GB5789-86	7	Flange bolt M8×40	171	13104	1	Pin, piston
161	12100	1	Crankcase cover	172	13106	1	Connecting rod assy.
162	GB5789-86	3	Flange bolt M5×10	173	17220	1	Control assy.
163	12301	1	Fan cover	174	17001	1	Spring, governor
164	121102	1	Cap assy. oil filler	175	17002	1	Spring, throttle return
165	12230	1	Governor kit	176	17004	1	Arm, governor
166	12214	1	Packing, case cover	177	17003	1	Rod, governor
167	12213	2	Pin, dowel, 8×12	178	17005	1	Bolt, governor arm
168	13100	1	Ping set assy. piston				